

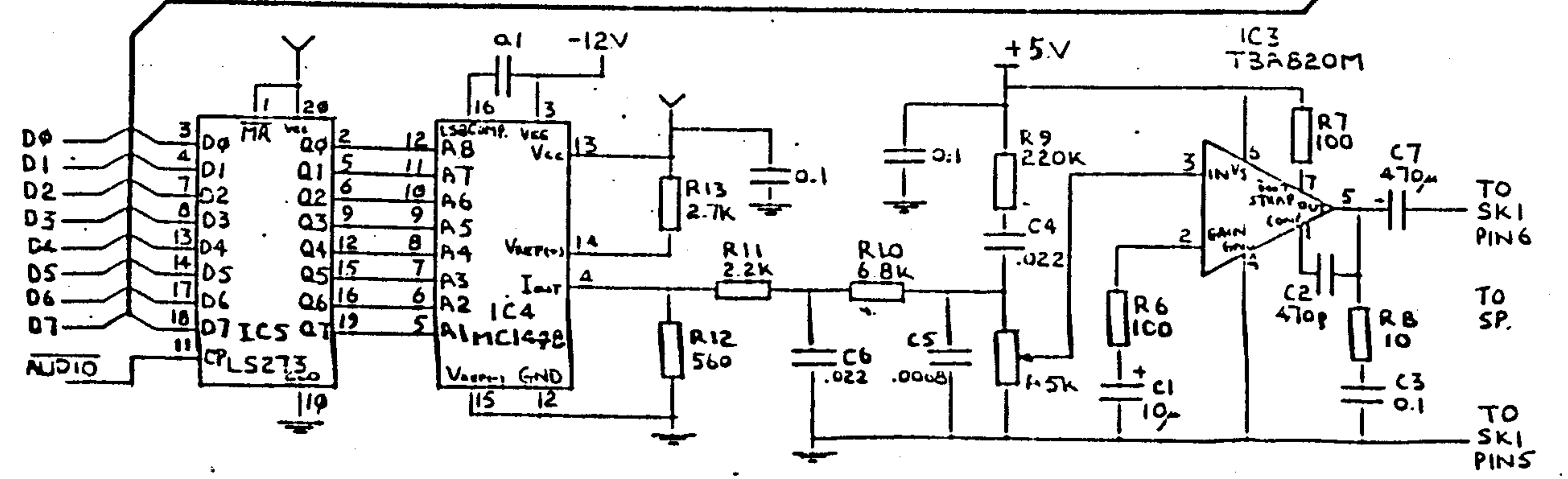
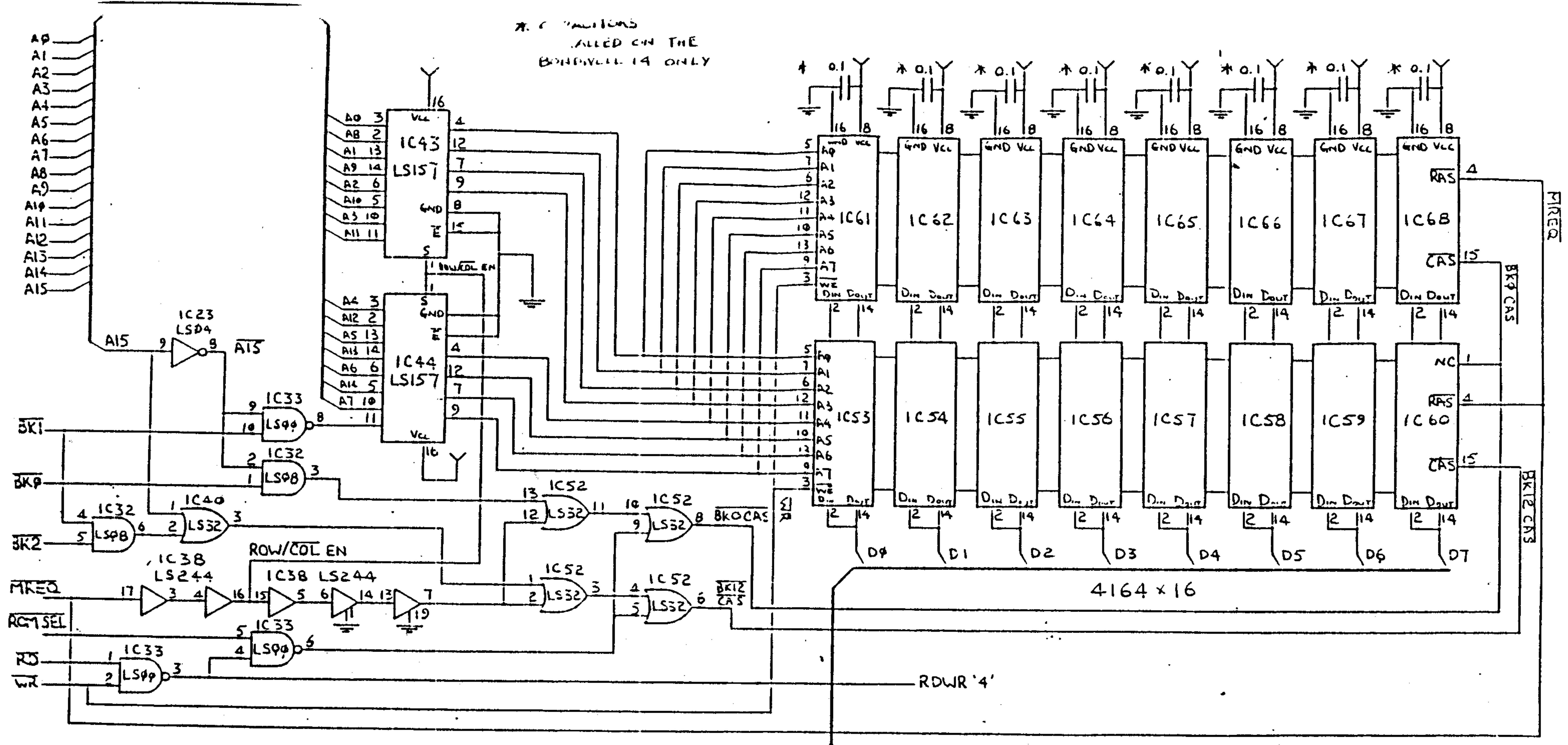
* UNLESS SPECIFIED, ALL THE EXTENSION LINES IN EACH PAGE ARE CONNECTED TO PAGE 1. THE SPECIFIED PAGE NO. IS IN THE BRACKET.

* THE SYMBOL Y IS TO +5V

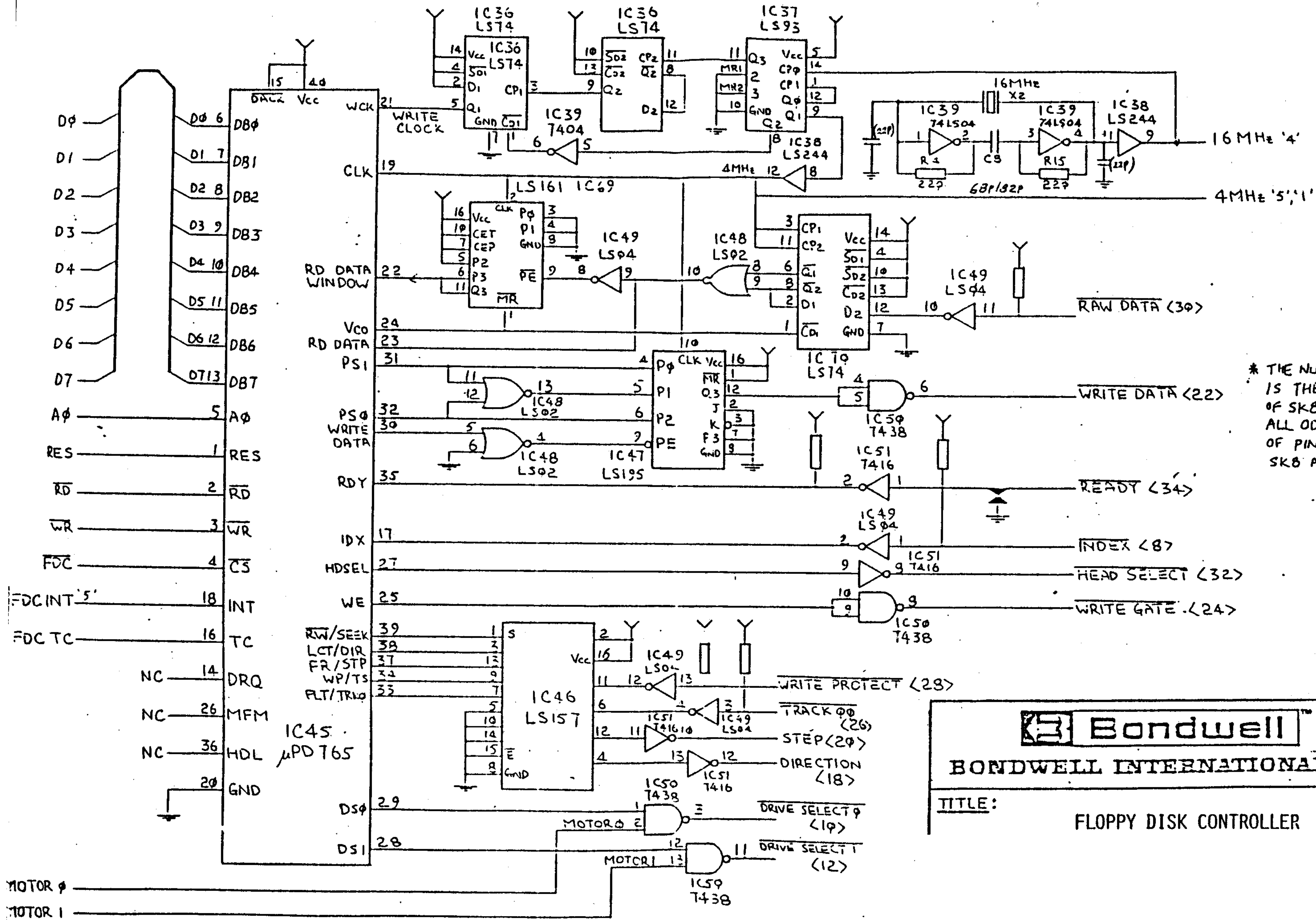
Bondwell
 BONDWELL INTERNATIONAL LTD

TITLE: CPU & IO DECODE


* 0.1 μF CAPACITORS
 CALLED ON THE
 BOARDWELL 14 ONLY



Bondwell
 BONDWELL INTERNATIONAL LTD
 TITLE: RAM & AUDIO

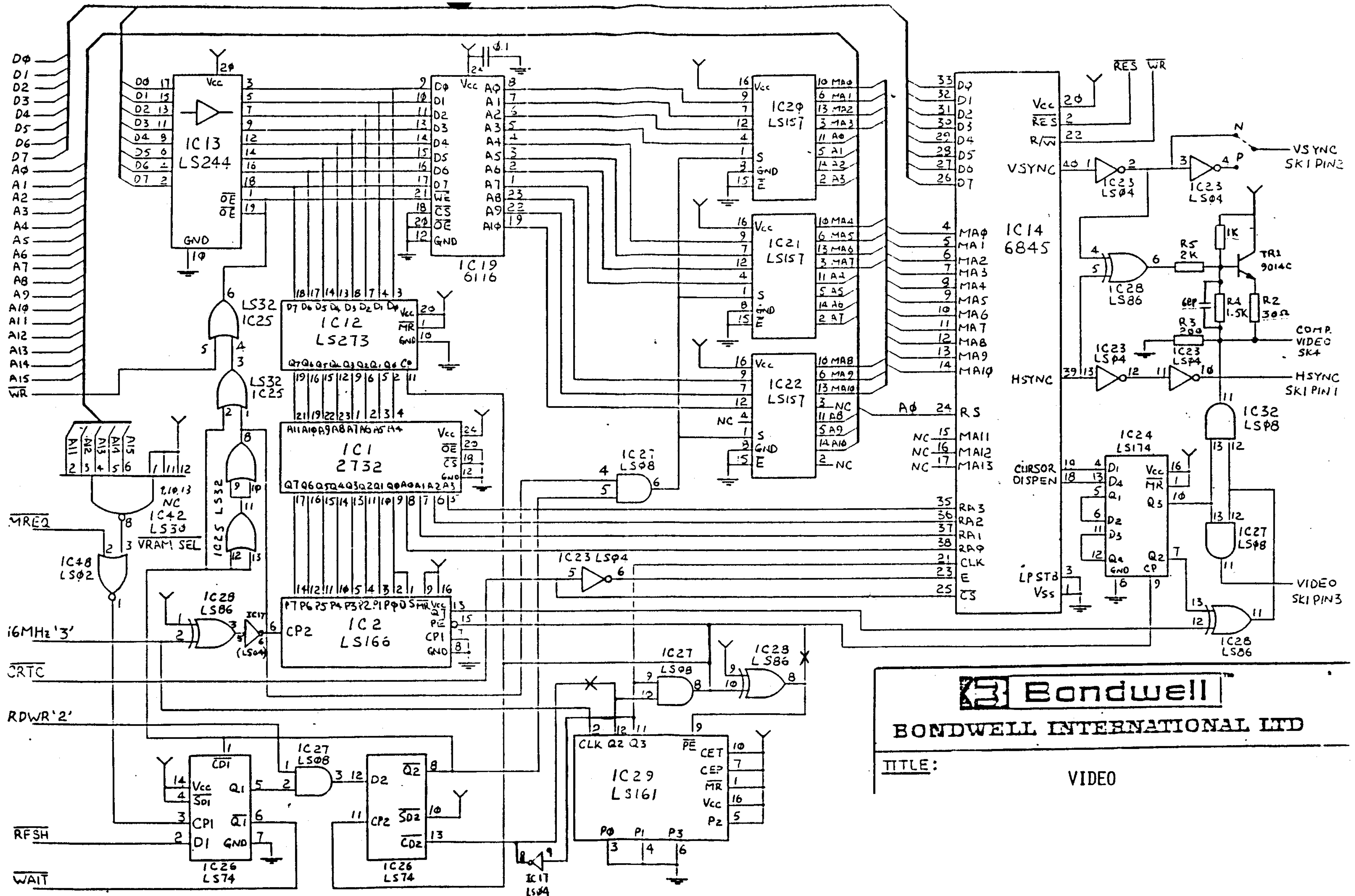


* THE NUMBER IN < >
IS THE PIN NUMBER
OF SK8.
ALL ODD NUMBERS
OF PIN NUMBER OF
SK8 ARE GROUND.



BONDWELL INTERNATIONAL LTD

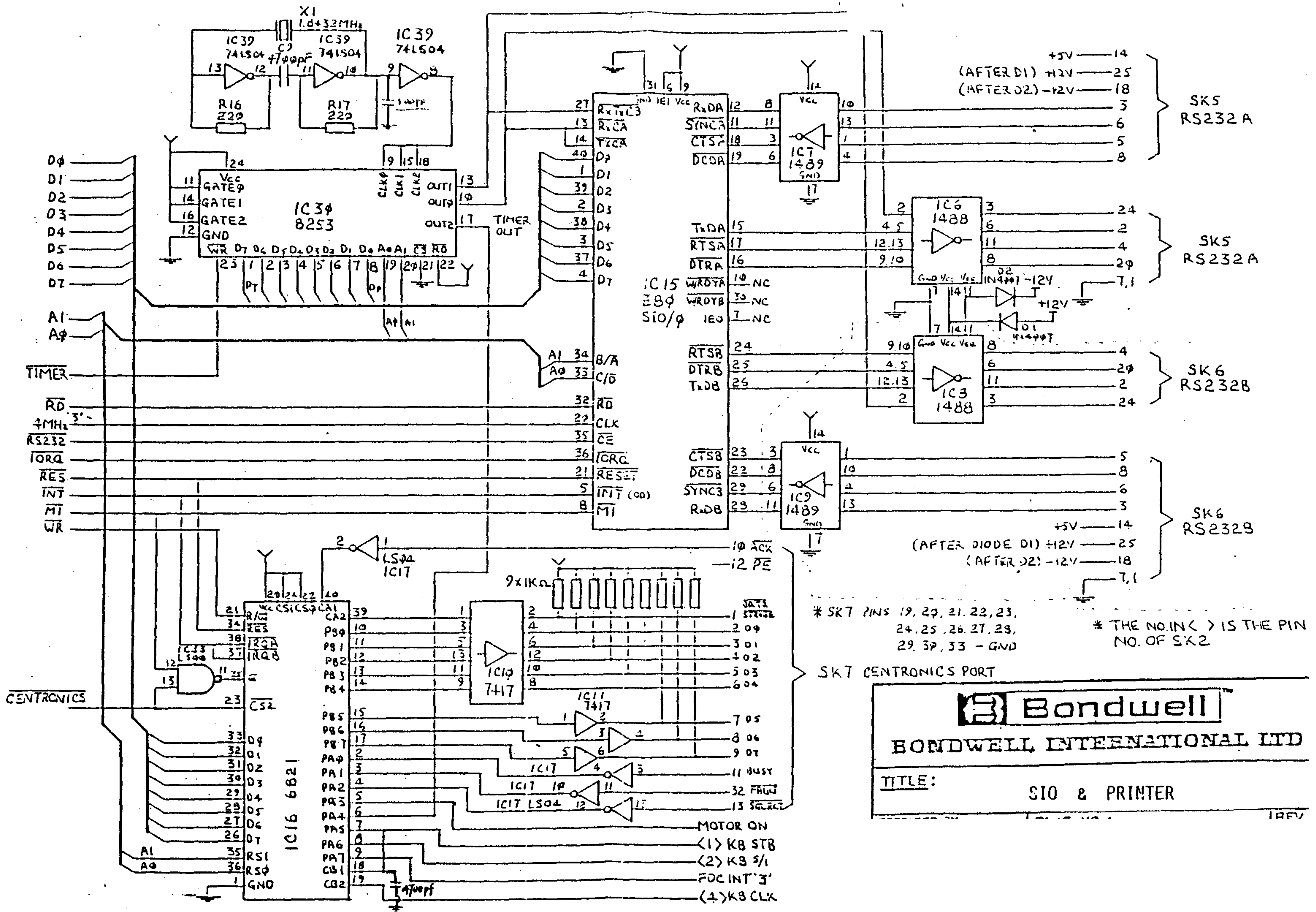
TITLE: FLOPPY DISK CONTROLLER



Bondwell

BONDWELL INTERNATIONAL LTD

TITLE: VIDEO



* SK7 PINS 19, 20, 21, 22, 23, 24, 25, 26, 27, 28, 29, 30, 33 - GND

* THE NO. IN < > IS THE PIN NO. OF SK2

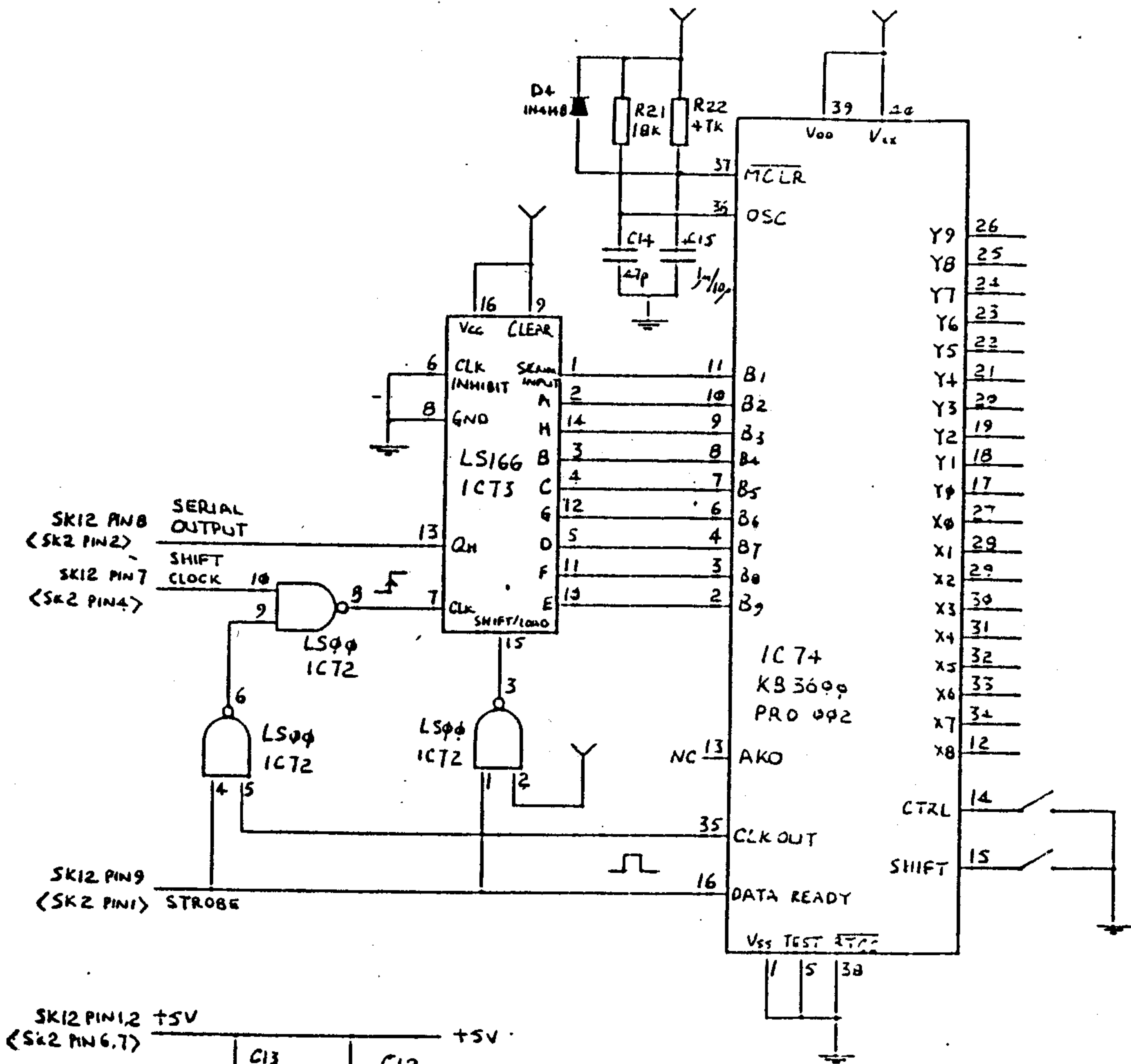
SK7 CENTRONICS PORT

Bondwell™

BONDWELL INTERNATIONAL LTD

TITLE: SIO & PRINTER

1REV



	Y0	Y1	Y2	Y3	Y4	Y5	Y6	Y7	Y8	Y9
X0	,	()	!	!		#	\$	%	&
X1	7	8	9	φ	!	2	3	4	5	6
X2	^U	^I	^O	^P	^Q	^W	^E	^R	^T	^Y
X3	u	i	o	p	q	w	e	r	t	y
X4	F15	F16	RET	.	SP	LOCK	F11	F12	F13	F14
X5	FT	FB	F9	F10	F1	F2	F3	F4	F5	F6
X6	←	→	3	BS ^@	\		= ^J	}	↑	↓
X7	←	→	3	BS	@		- ^J	}	↑	↓
X8	9	,	2	LF	DEL	HT	↑ ~	^C	{	7 8
X9	9	CL	2	LF	DEL	HT	↑	C	7	8
X10	^M	<	>	? ^Z	^X	^C	^V	^B	^N	
X11	m	,	.	/	}	x	c	v	b	n
X12	^J	^K	^L	+	^A	^S	^D	F	^G	^H
X13	j	k	l	+	a	s	d	f	g	h
X14	6	u	!	φ	ESC		*	RET	4	5
X15	6	-	!	φ	ESC		:	RET	4	5

Bondwell

BONDWELL INTERNATIONAL LTD

TITLE: KEYBOARD